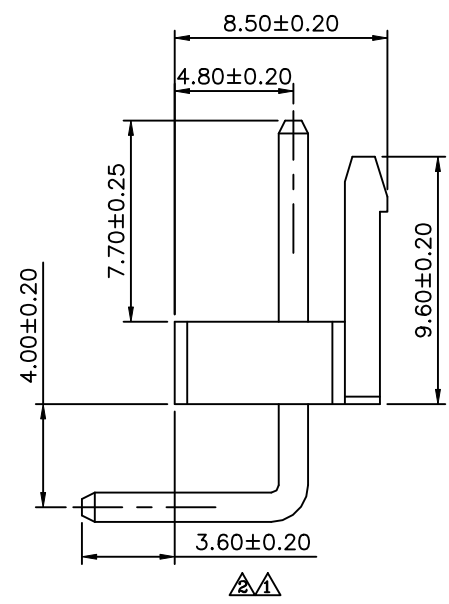
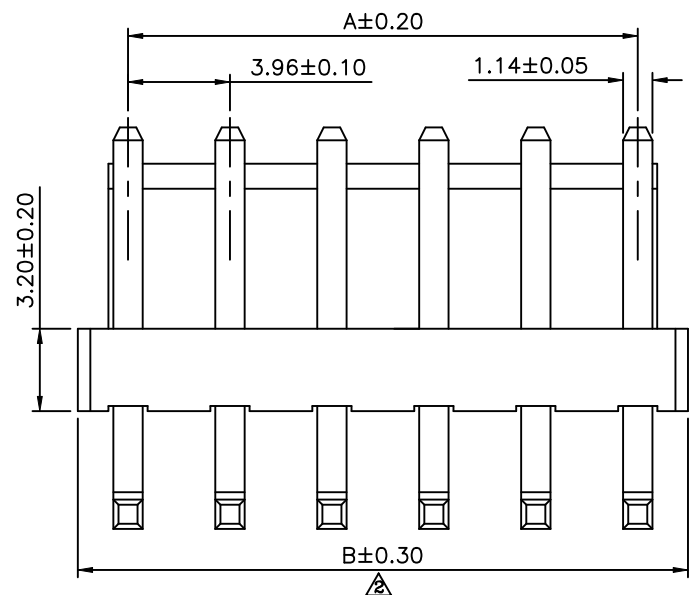
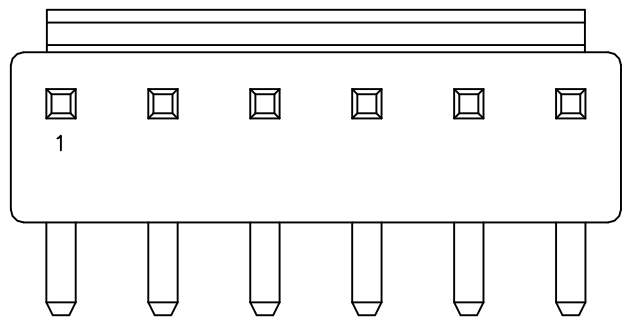


Recommended P.C.B. Layout



**SPECIFICATION**

- Current Rating:7A AC/DC
- Voltage Rating:250V AC/DC
- Withstand Voltage:1500V AC/Minute
- ⚠ Contact Resistance:20 Milliohms Max.
- Insulation Resistance:1000 Megaohms Min.
- Temperature Range:-25°C~+85°C
- ⚠ Insulator:PA66(UL94V-0),White
- Contact:Brass,Tin Plated
- RoHS Compliant

⚠  $\frac{VH}{(1)} \frac{XX}{(2)} \frac{R}{(3)} - \frac{H}{(4)}$

- (1) VH:3.96mm VH Series
- (2) XX:No. Of Position
- (3) R:DIP Right Angle
- (4) H:RoHS Compliant

Pin	A	B
02	3.96	7.92
03	7.92	11.88
04	11.88	15.84
05	15.84	19.80
06	19.80	23.76
07	23.76	27.72
08	27.72	31.68
09	31.68	35.64
10	35.64	39.60
11	39.60	43.56
12	43.56	47.52
13	47.52	51.48
14	51.48	55.44
15	55.44	59.40
16	59.40	63.36

PROPRIETARY AND CONFIDENTIAL  
 THE INFORMATION CONTAINED IN THIS DRAWING IS THE SOLE PROPERTY OF AUK AND SHALL NOT BE DISTRIBUTED, REPRODUCED, OR DISCLOSED IN WHOLE OR IN PART WITHOUT PRIOR WRITTEN PERMISSION OF AUK.



CATEGORY		APPROVED BY		UNLESS OTHERWISE SPECIFIED TOLERANCES ARE X. ±0.30 .X ±0.25 .XX ±0.20 .XXX ±0.05 ANG. ±1°				
PART No. VHXXR-H		MEI			⚠ A3	Modify Spec.	HZF	06/21/2021
DRAWING No. VHXXR-H		HZF			⚠ A2	Modify Data	HZF	06/21/2016
SCALE NONE		CYP			⚠ A1	Modify Data	HZF	10/19/2015
SCALE	NONE	REV.	A3	UNIT mm	⚠ A0	NEW RELEASE	HZF	12/13/2012
					NO. REV.	REVISIONS		CHK DATE